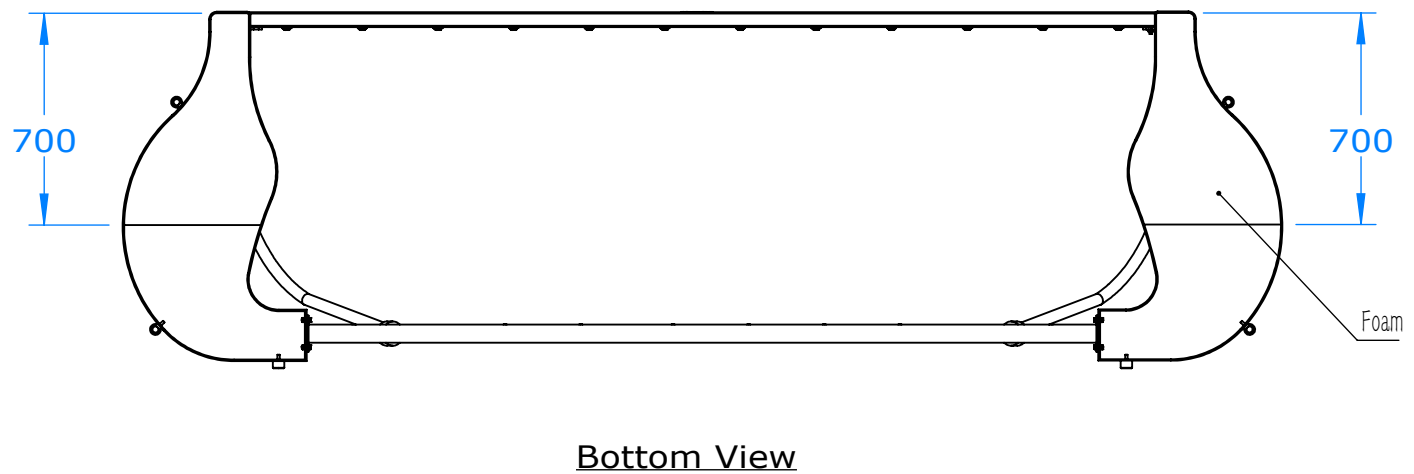
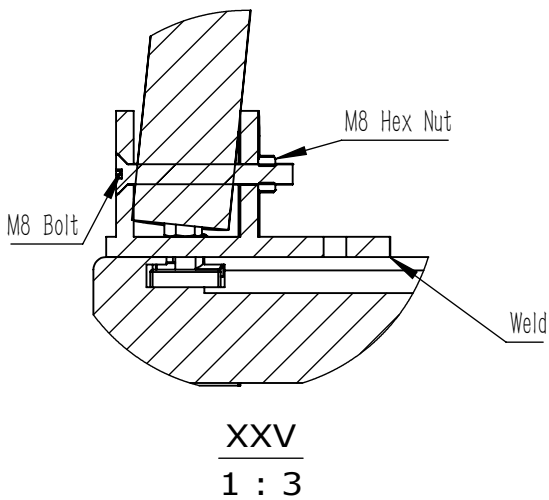
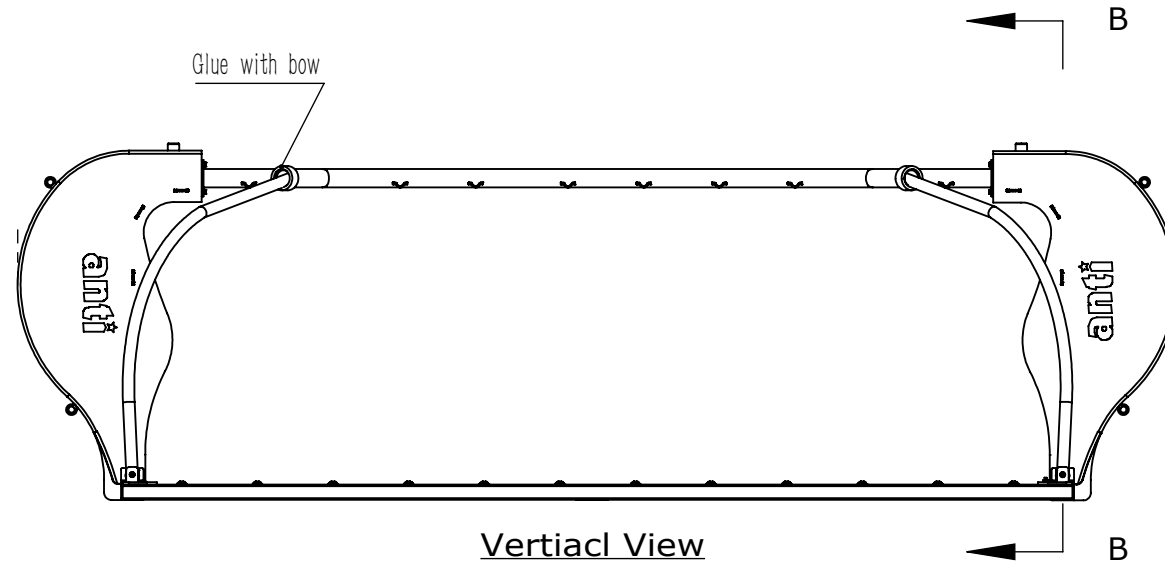
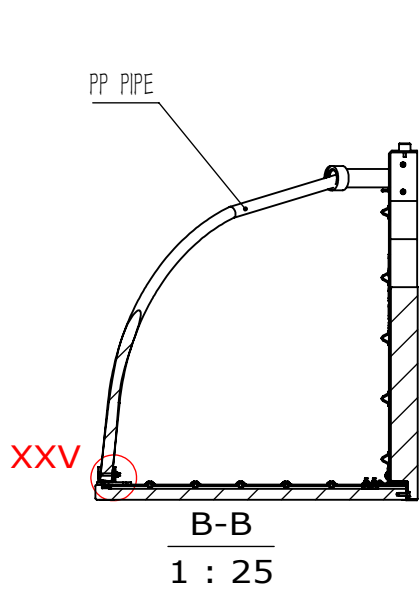
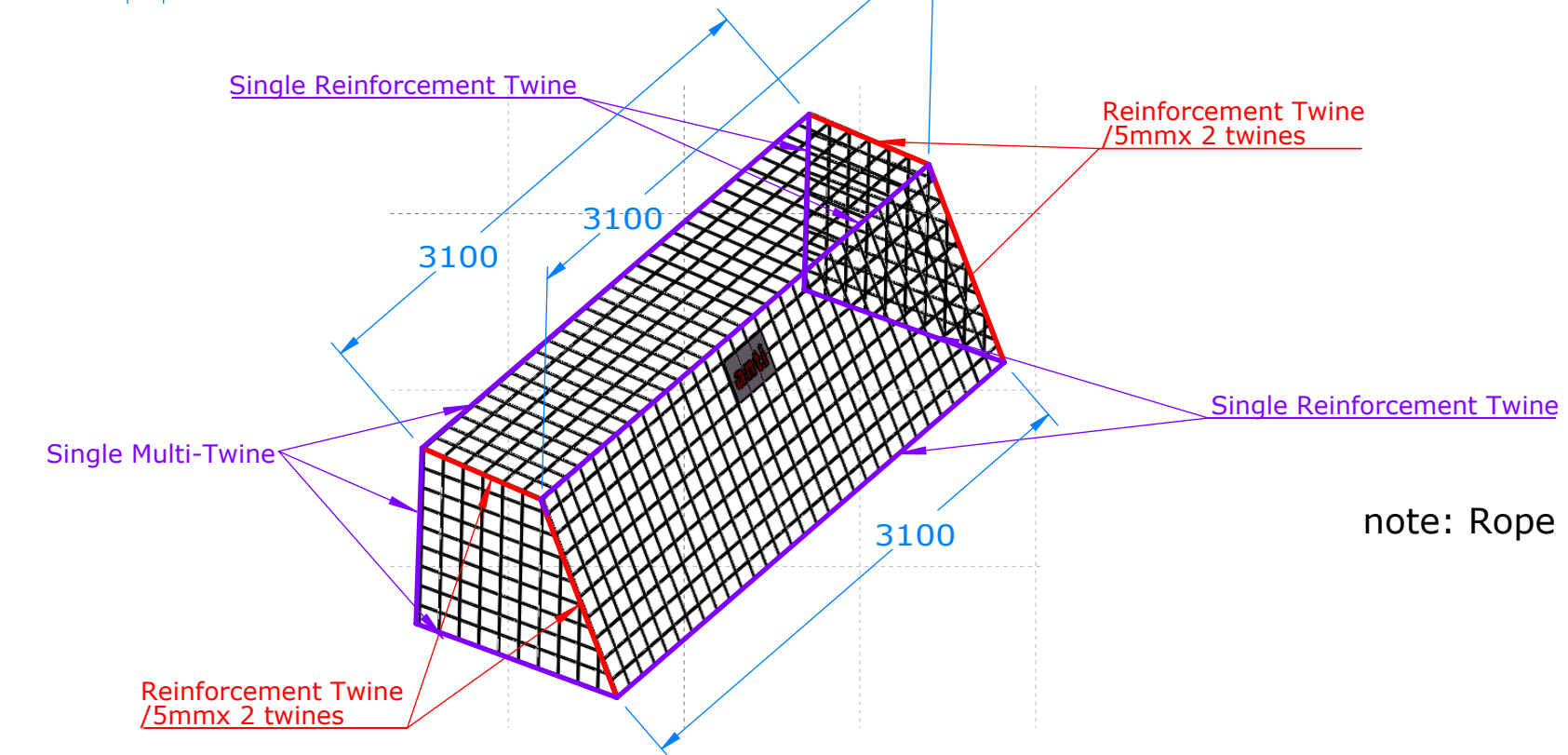
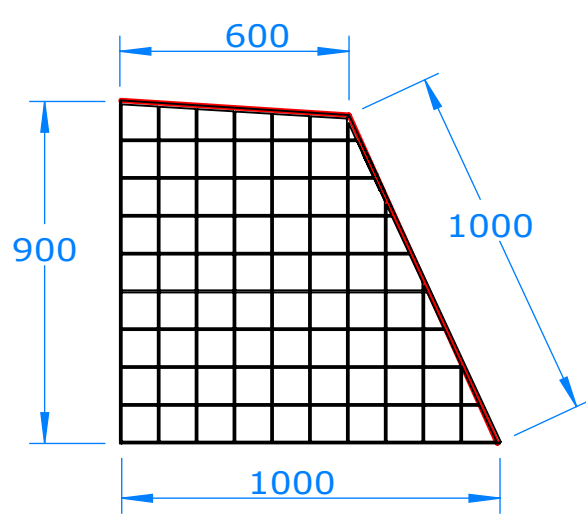
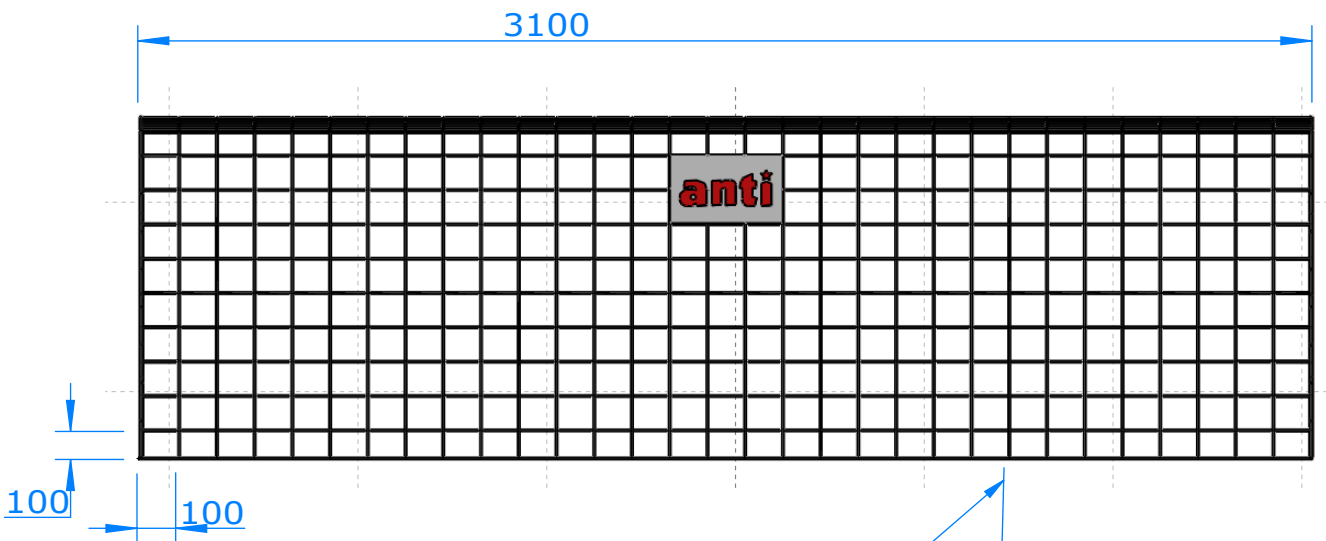
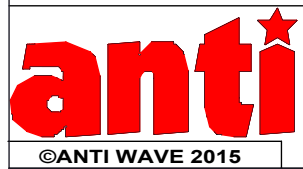


Project Name: Senior Folding Goal				Product Name: Senior Folding Goal 750				Project No. AWE330a		Product No.			
Drawn Brian				Scale 1:25				Patents 2001285610; 7100219; 4048677; 01818714.5 & 2003/2920 e.g.		Drawn Date 2016/03/16		Verify Date	





note: Rope Dia=5mm



**PROPRIETARY AND CONFIDENTIAL**  
 The information contained in this drawing is the sole property of ANTI WAVE,Int'l any reproduction in part or as a whole without the written permission of ANTI WAVE is prohibited.

Project Name:  
**Senior Folding Goal 750**

Drawn Brian Scale 1:20

Product Name:  
**Black Nets**

Patents 2001285610; 7100219; 4048677; 01818714.5 & 2003/2920 e.g.

Project No.	AWE899	Product No.	
Drawn Date	2016/03/16	Verify Date	