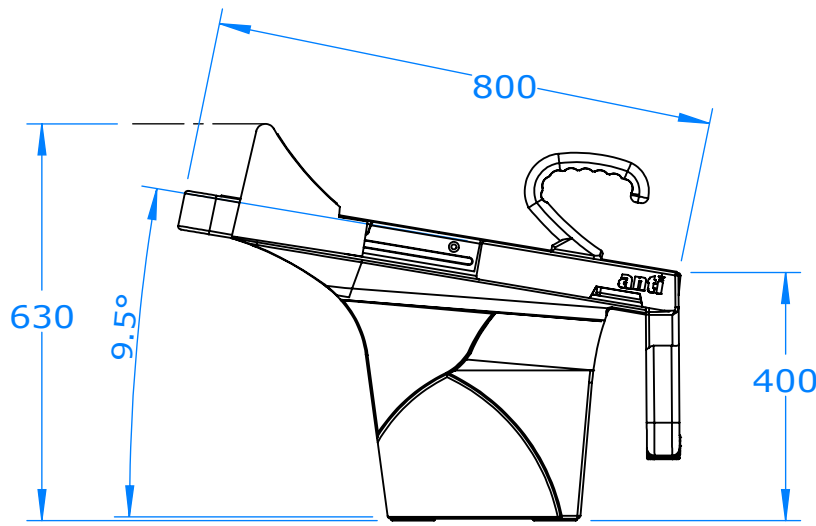
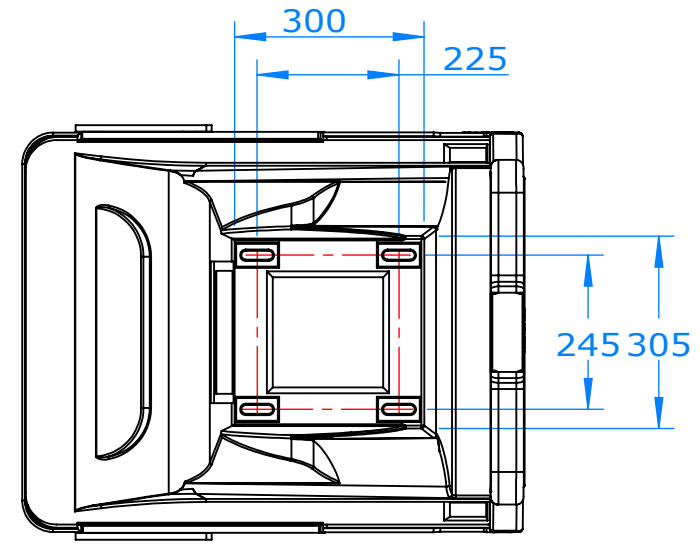


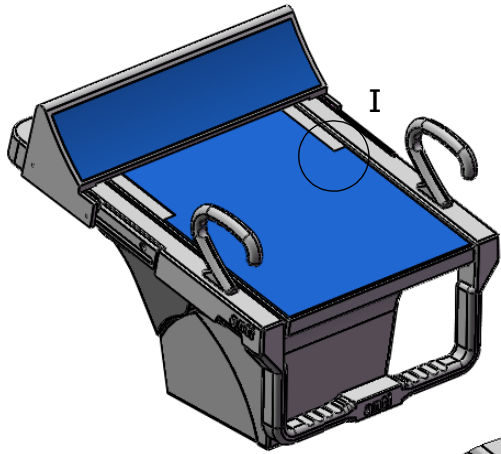
front view



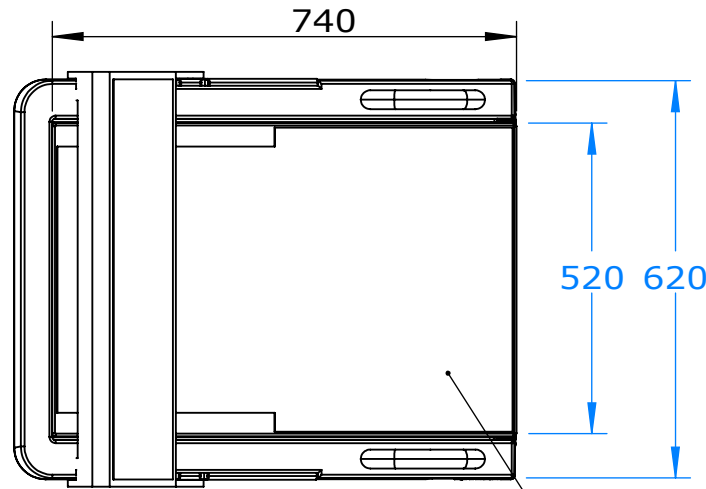
side view



bottom view

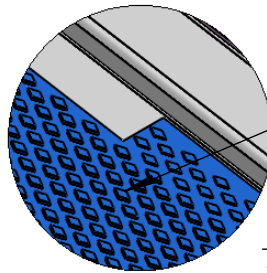


I



vertical view

Aquadeck/OSB11



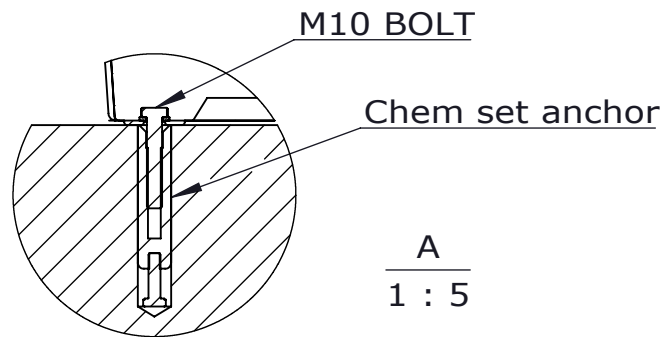
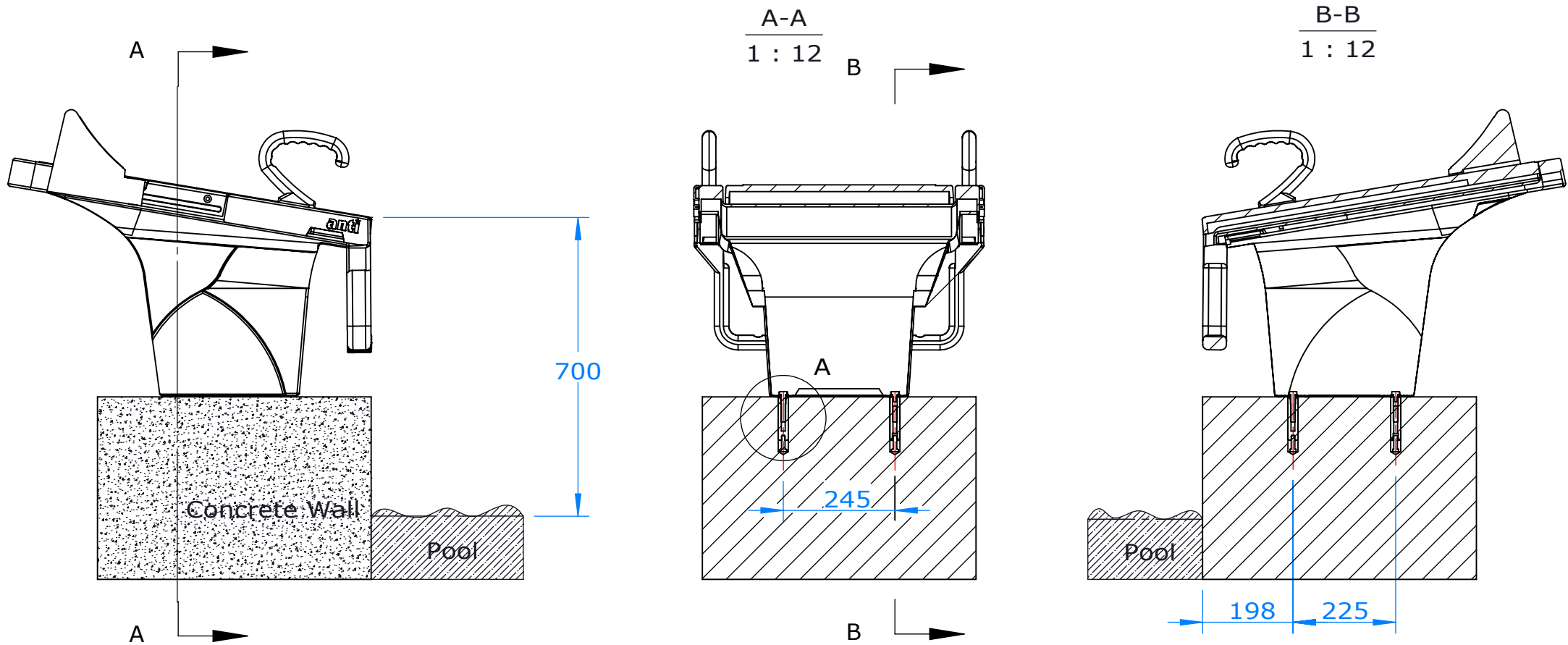
Antislip

I
1 : 4

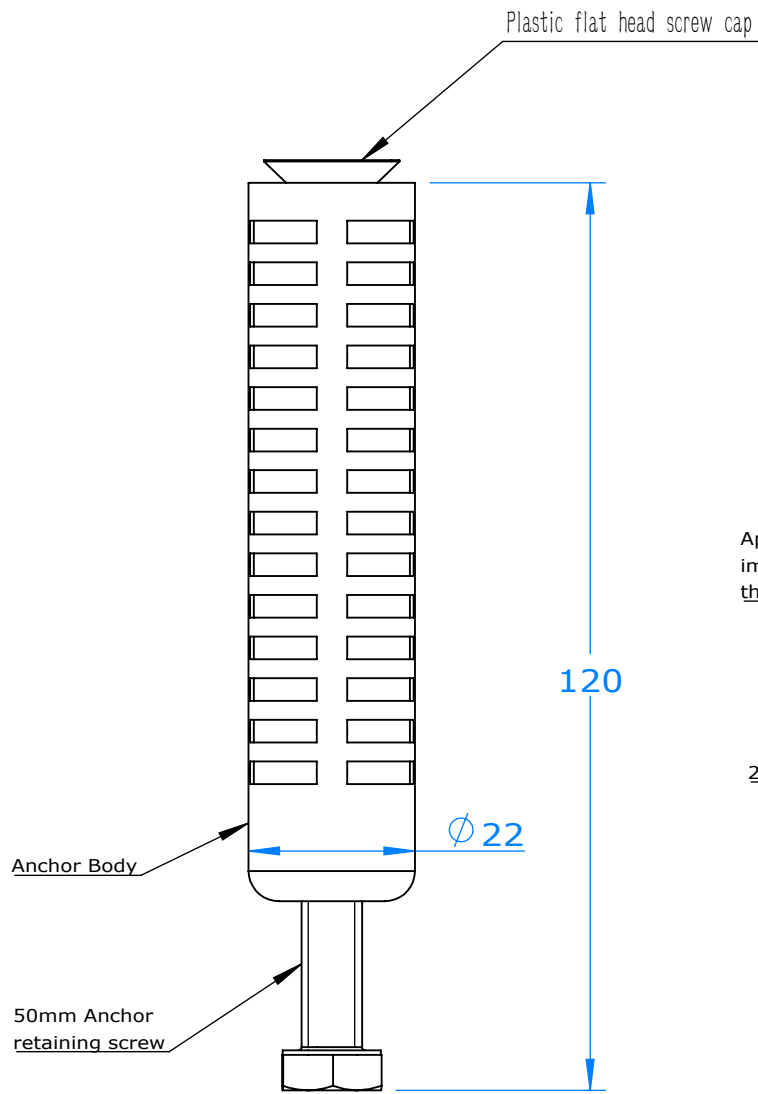
SPECIFICATIONS:

- Materials:
Fibreglass
- Top Material:
AquaDeck ® Antislip
- Overall Dimensions:
800mmx620mmx630mm
- Cartons Dimensions:
860mmx680mmx690mm
- Shipping Weight: 45KG
- Shipping CBM total: 0.42m³
- Suit all timing systems

Project Name: SuperBlock				Product Name: SuperBlock 800				Project No.		Product No.	
Actual Weight		43KG		Drawn		Brian		Scale		1:12	
Drawn		Brian		Scale		1:12		Patents		2001285610; 7100219; 4048677; 01818714.5 & 2003/2920 e.g.	
				Drawn Date		2015/8/27		Verify Date			



Project Name: Super Block				Product Name: Super Block 800 with pool				Project No.		Product No.	
Drawn	Brian	Scale	1:12	Patents	2001285610; 7100219; 4048677; 01818714.5 & 2003/2920 e.g.						
								Drawn Date 2015/8/27		Verify Date	



Installation

